

AS1351

Programmable Dual LDO

Product Brief

1 General Description

The AS1351 is a high-performance dual CMOS low-dropout voltage regulator in a single 3x3 package. The efficient set of programmable power supplies is optimized to deliver the best compromise between quiescent current and regulator performance for mobile phones, PDAs, MP3 players, and other battery powered devices.

The one-time-programmable (OTP) function provides greater design flexibility by allowing for independent programming of the output voltage for each regulator on-site. The OTP function allows for fast prototyping as well as full-production in the field. Factory trimmed versions are also available.

Stability is guaranteed with ceramic output capacitors of only 1µF (±20% – X5R) up to 4.7µF (±20% – X5R). The low equivalent series resistance (ESR) of these capacitors ensures low output impedance at high frequencies.

Regulation performance is excellent even under low dropout conditions, when the power transistor has to operate in linear mode.

The low-noise performance allows direct connection of noise sensitive circuits without additional filtering networks.

The AS1351 is available in a 12-pin QFN 3x3 package or in a wafer bumping package.

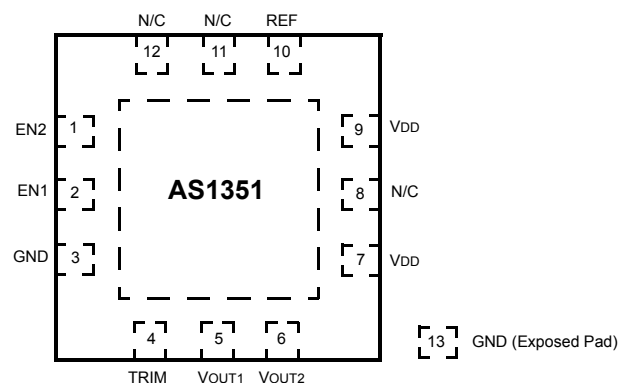
2 Key Features

- 2 Independent Voltage Regulators with Shutdown
- Output Current: 200mA each LDO
- One Time Programmable Output Voltage (User- or Factory-Trimmed)
- Programmable Output Voltage Range: 1.8 to 3.3V in 0.1V Steps
- Accuracy: ±1.5%
- PSRR: 70dB at 1kHz, 40dB at 100kHz
- Line Regulation: ±2mV
- Load Regulation: ±0.6mV
- Supply Range: 3 to 5.5V
- 0.2V Dropout Voltage @ I = 200mA
- Shutdown Current: ≤1µA
- Supply Current Without Load: 125µA (typ)
- Softstart for Low Inrush Current
- Stable with low ESR Ceramic Capacitors from 1 to 4.7µF
- Low Noise – 40µV rms @10Hz to 100kHz Bandwidth
- Thermal Protection
- Over-Current Protection
- Temperature Range: -40 to +85°C
- Wafer Bumping
- QFN12 3x3, Pitch 0.8mm Package

3 Applications

The AS1351 is ideal for cordless and mobile phones, MP3 players, CD and DVD players, PDAs, handheld computers, digital cameras, and any other hand-held battery-powered device.

Figure 1. Pinout Assignments (Top View)



Copyrights

Copyright © 1997-2005, austriamicrosystems AG, Schloss Premstaetten, 8141 Unterpemstaetten, Austria-Europe. Trademarks Registered ®. All rights reserved. The material herein may not be reproduced, adapted, merged, translated, stored, or used without the prior written consent of the copyright owner.

All products and companies mentioned are trademarks or registered trademarks of their respective companies.

Disclaimer

Devices sold by austriamicrosystems AG are covered by the warranty and patent indemnification provisions appearing in its Term of Sale. austriamicrosystems AG makes no warranty, express, statutory, implied, or by description regarding the information set forth herein or regarding the freedom of the described devices from patent infringement. austriamicrosystems AG reserves the right to change specifications and prices at any time and without notice. Therefore, prior to designing this product into a system, it is necessary to check with austriamicrosystems AG for current information. This product is intended for use in normal commercial applications. Applications requiring extended temperature range, unusual environmental requirements, or high reliability applications, such as military, medical life-support or life-sustaining equipment are specifically not recommended without additional processing by austriamicrosystems AG for each application.

The information furnished here by austriamicrosystems AG is believed to be correct and accurate. However, austriamicrosystems AG shall not be liable to recipient or any third party for any damages, including but not limited to personal injury, property damage, loss of profits, loss of use, interruption of business or indirect, special, incidental or consequential damages, of any kind, in connection with or arising out of the furnishing, performance or use of the technical data herein. No obligation or liability to recipient or any third party shall arise or flow out of austriamicrosystems AG rendering of technical or other services.

Contact Information

Headquarters

austriamicrosystems AG
A-8141 Schloss Premstaetten, Austria

Tel: +43 (0) 3136 500 0

Fax: +43 (0) 3136 525 01

e-mail: info@austriamicrosystems.com

For Sales Offices, Distributors and Representatives, please visit:

<http://www.austriamicrosystems.com>

austriamicrosystems – a leap ahead